

030-0600
Rotating Catch
Compartment Latch



030-0625
Two Point Pivot



DESIGNED FOR:

- Single lid or gull wing cross bed tool boxes or similar storage boxes and lockers

FEATURES/BENEFITS:

- Simplified design allows for easy opening and closing force that does not require opening the paddle before closing the lid
- When locking latch is in the locked mode and connected remotely, other latch will be inoperable

Global Locations:

TriMark Corporation
500 Bailey Avenue
P.O. Box 350
New Hampton, Iowa 50659
United States
Tel: 641-394-3188
Fax: 641-394-2392
1-800-447-0343
www.trimarkcorp.com

TriMark Europe
Cedar Court
Walker road
Bardon Hill
Coalville LE67 1TU
United Kingdom
Tel: +44(0)1530 512460
Fax: +44(0)1530 512461
www.trimarkeu.com

TriMark (Xuzhou)
Building A5 Jingwu Road
Xuzhou Economic
Development Zone
Xuzhou, Jiangsu
221004 PR China
Tel: +86 516 8773 0018
Fax: +86 516 8773 0058
www.trimarkcn.com



TriMark. Interactive. Product. Selector



TriMark



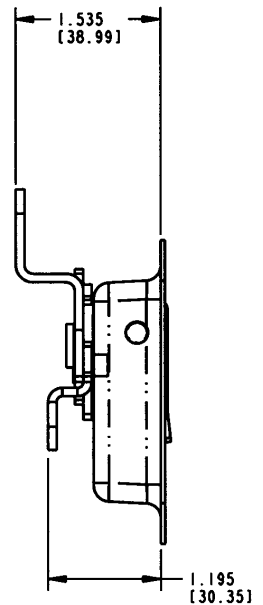
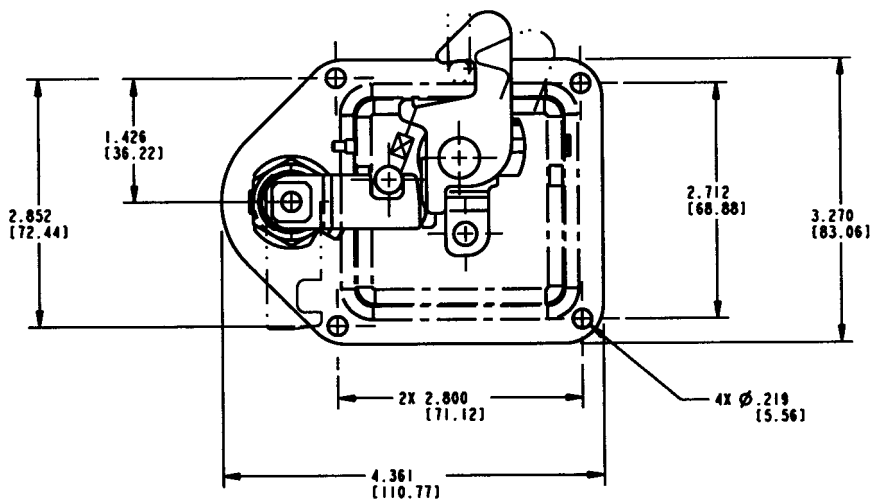
TriMark Corporation

AVAILABLE:

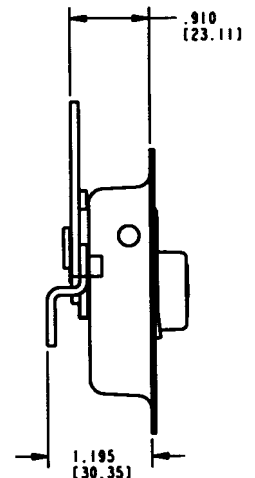
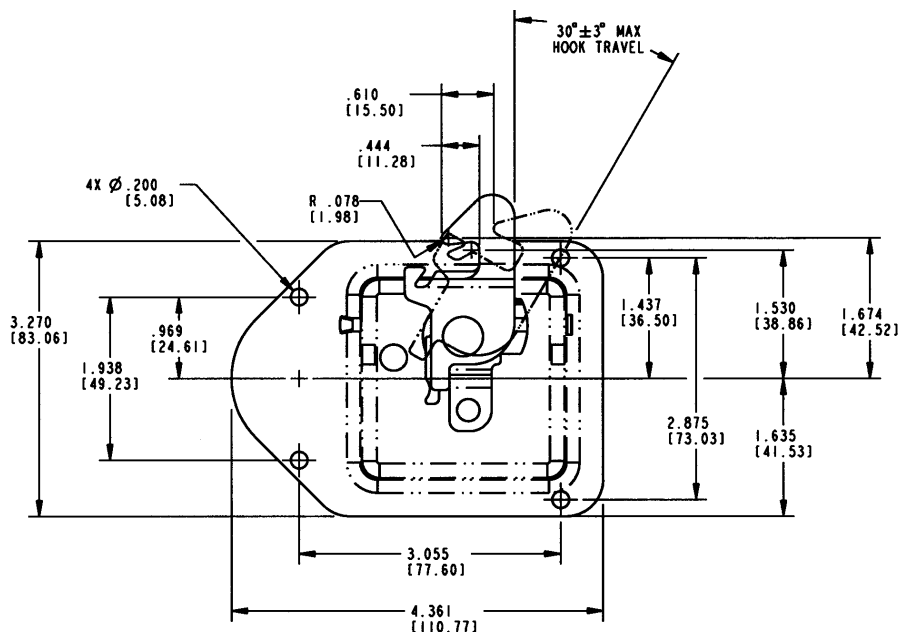
- Non-locking or locking versions available with up to 10 different key codes with shuttered keyway
- Two standard mounting hole patterns
- Two-point option
- Optional neoprene foam gasket is available for under the flange of housing
- Supplied cam lock can be packaged unassembled or assembled to the latch with a clip or nut depending on cutout and panel thicknesses

For more information visit
www.trimarkcorp.com

LOCKING ASSEMBLY SHOWN WITH OFFSET HOOK AND OPTIONAL HOLE PATTERN



NON-LOCKING ASSEMBLY SHOWN WITH FLAT HOOK AND STANDARD HOLE PATTERN



FINISH:

- Black powder coated
- Buffed and polished stainless steel

MATERIAL:

- Housing and paddle: 300 Series Stainless Steel
- Mild steel is also available

INSTALLATION:

- Mounted with 3/16" diameter pop rivets or screws
- Adjustable rod package

Individual part dimensions are for reference only. Refer to individual part drawings for complete dimensions, specifications, and installation procedures. Engineering assistance and application drawings are available.

**030-0625 TWOPOINT PIVOT
SHOWN WITH OPTIONAL HOUSING**

